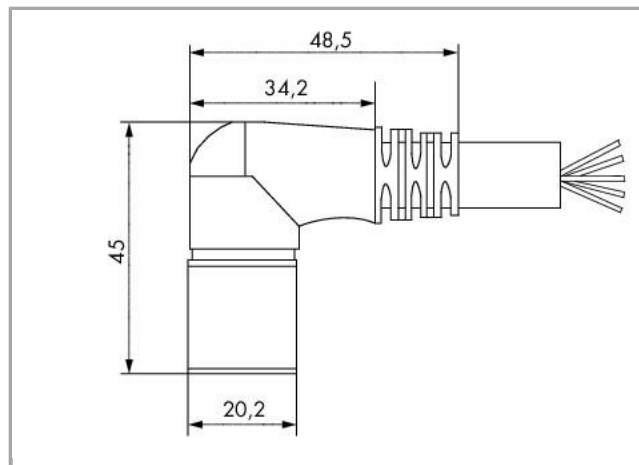


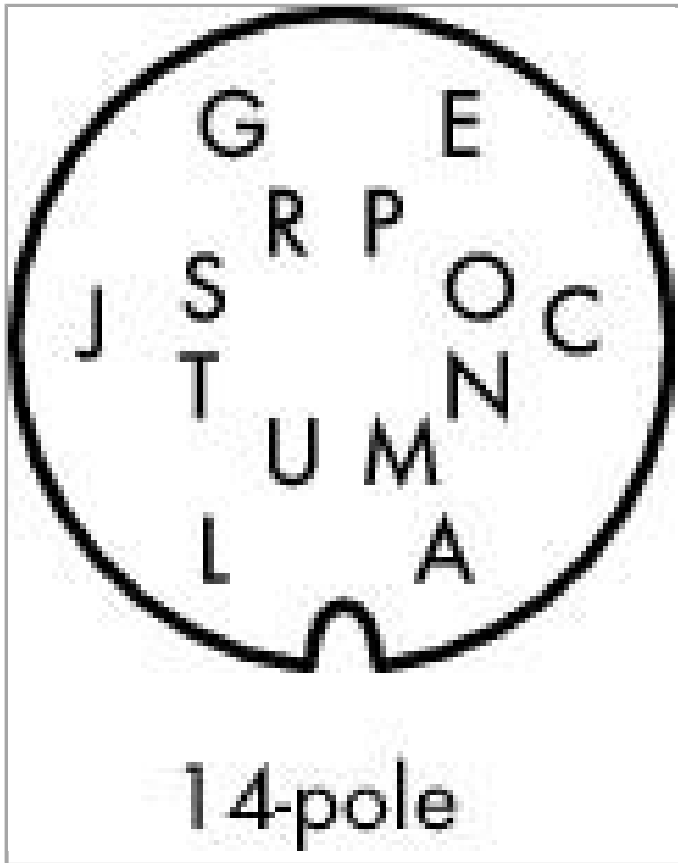
Data sheet | Item number: 756-3206/140-150

Connecting cable; for the connection of M8 sensor/actuator boxes; 14-pole;  
M16 socket, angled; one free cable end; 15 m



756-3206/140-150





Pin A, L: 0.75 mm<sup>2</sup>  
 Pin C - J, N - T: 0.34 mm<sup>2</sup>

A	brown	N	pink-brown
C	white-pink	O	violet
E	black	P	white
G	pink	R	red
J	green	S	gray
L	blue	T	yellow
M	commoned with A	U	commoned with L

## Data

### Technical Data

Connection type	M16 socket - free end
No. of poles	14
Leitungsanschlussrichtung zur Steckrichtung	90°
Cable length	15 m
Operating voltage	150 V
Operating current	4 A
Operating current	6 A (0,75 mm <sup>2</sup> )
Rated surge voltage	1,2 kV

### Mechanical data

Bending cycles	2 Mio.
Schleppkettentauglichkeit	yes
Durchmesser der Mantelleitung	8.9 ... 9.3 mm
Weight	1640 g

### Environmental Requirements

Umgebungstemperatur (Betrieb) bewegt	-30 ... +90 °C
--------------------------------------	----------------



---

Umgebungstemperatur (Betrieb) ruhend	-40 ... +90 °C
Protection class	IP67

---

### Commercial data

---

Country of origin	DE
GTIN	4044918978552
Customs Tariff No.	85444290900

---

### Downloads

#### Documentation

#### System Description

---

Sensor/Actuator Boxes – General Product Information	pdf 537.3 kB	Download
---	-----------------	----------

---

Subject to changes.

---